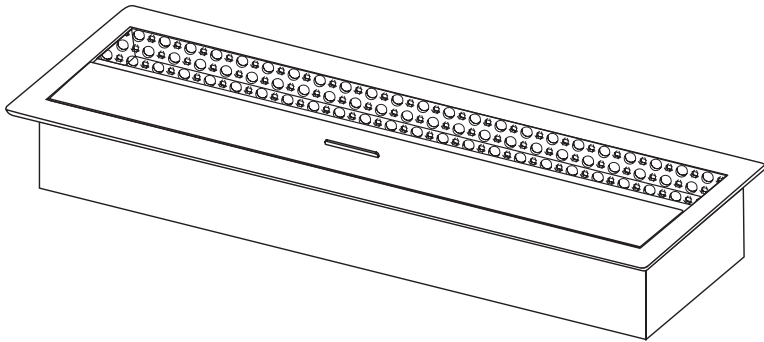




Instruction Manual

please read before use



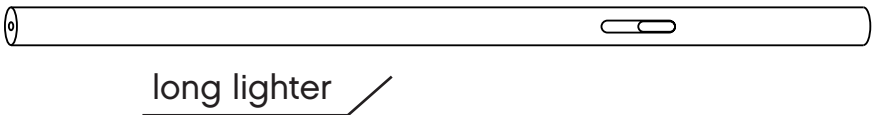
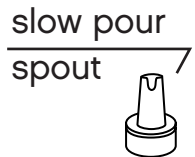
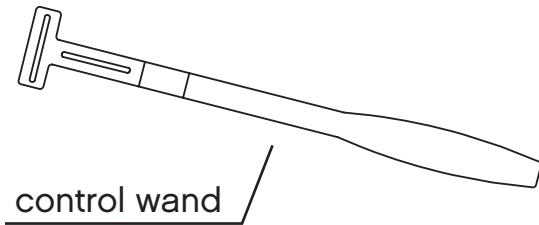
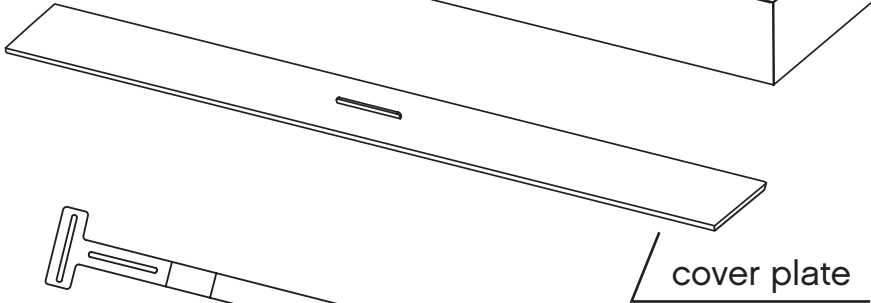
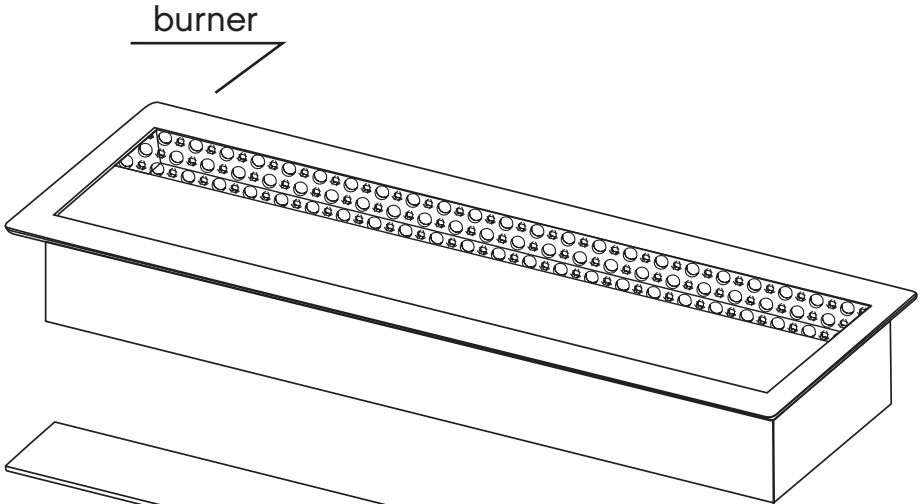
XL Burner

(patent pending)

307 Tchoupitoulas Street, Suite 100 • New Orleans, LA 70130
p : 888.596.6960 | 504.596.6960 • e : office@brasafire.com

www.brasa.co

Item Identification



Instruction manual and Safety Instructions

Please read this entire instruction manual before using your new XL burner. You will learn how to correctly operate your burner. Keep this instruction manual and do not throw it away. All users must read this instruction manual before use. Failure to do so could result in property damage or bodily injury.

Basic Safety Instructions

Please consider that an open fire is always a potential hazard.

- A burner that is in use should never be left unattended.
- Keep children and pets away from a burner that is in operation.
- The burner is not a toy.
- The burner should always be placed on a flat, horizontal surface.
- Only adults should operate the burner.
- Always read and follow the instructions that are printed on the alcohol bottle.
- Only use denatured alcohol as fuel. Denatured alcohol is also known as bio-ethanol, ethyl alcohol, or methylated spirits. No other fuel can be used for this kind of burner. Failure to do so could result in an uncontrollable fire.
- Always place the burner at a safe distance from flammable materials, at least 3 feet in each direction. Do not place on or near carpets or rugs.
- Never place any objects on top or inside of the burner.
- The burner gets hot during use. Never touch the burner while it is in use. Wait at least 30 minutes after the fire has been extinguished before touching with bare hands.
- **Never add fuel to the burner while it is burning. This could cause severe damage. Wait at least 15 minutes after the fire has been extinguished before refueling. Even if it looks as though the fire has gone out, there may be slight flames or sparks, which could ignite upon refueling.**
- For lighting and extinguishing the burner, please follow the instructions found later in this manual.

First Steps

Before using your new XL burner for the first time please be sure to follow these steps:

- Remove all packaging material, stickers or labels.
- Check the contents of the package for damage and make sure all parts have been included. See item identification.
- Contact your dealer if there are any damaged or missing parts.
- Keep all packing materials away from children, as they may cause choking or suffocation if used improperly.

Included with your burner, you will find: cover plate, control wand, optional slow pour spout, long lighter, and polish pad.

Once you have unpacked your burner please check to make sure that you have all of the pieces needed and that none are damaged. If parts are missing or damaged, please contact your dealer for replacements.

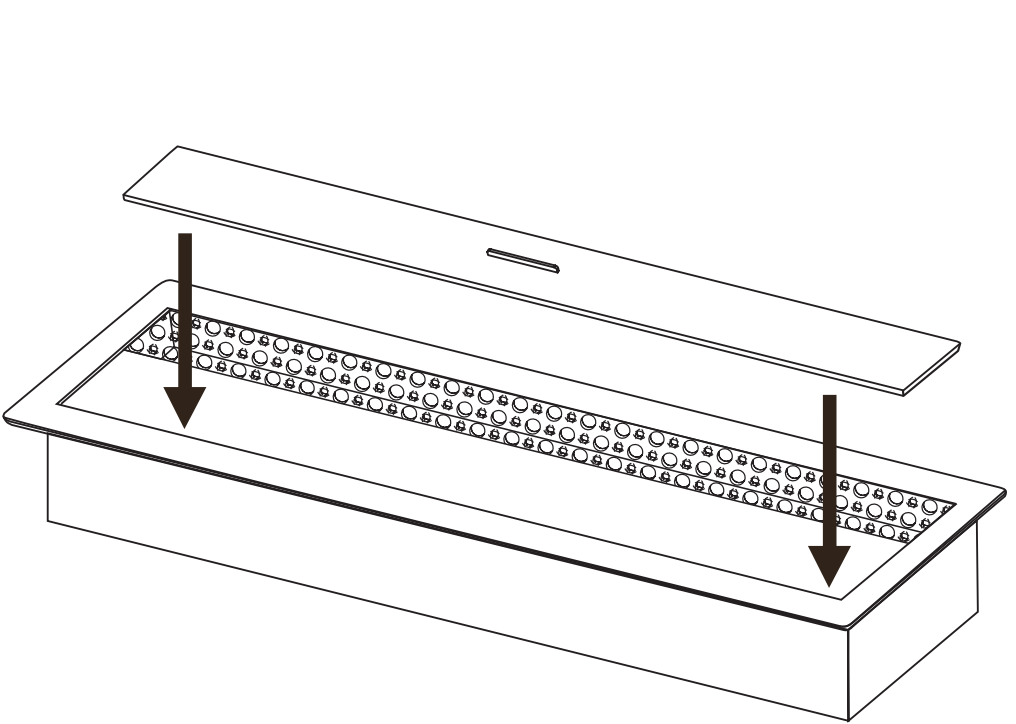
To assemble, place the cover plate in the recess on the burner unit top plate with the brasa logo facing up.

Once this is done, the burner needs to be set into a custom hearth setting or a brasa surround. Once in place, the burner is ready for use.

Please note: The lighter that is included with your burner has been packed without butane due to federal shipping regulations. You will need to fill with fuel before using. Refer to the instructions included with the lighter for filling. We recommend using a premium butane fuel for best results.

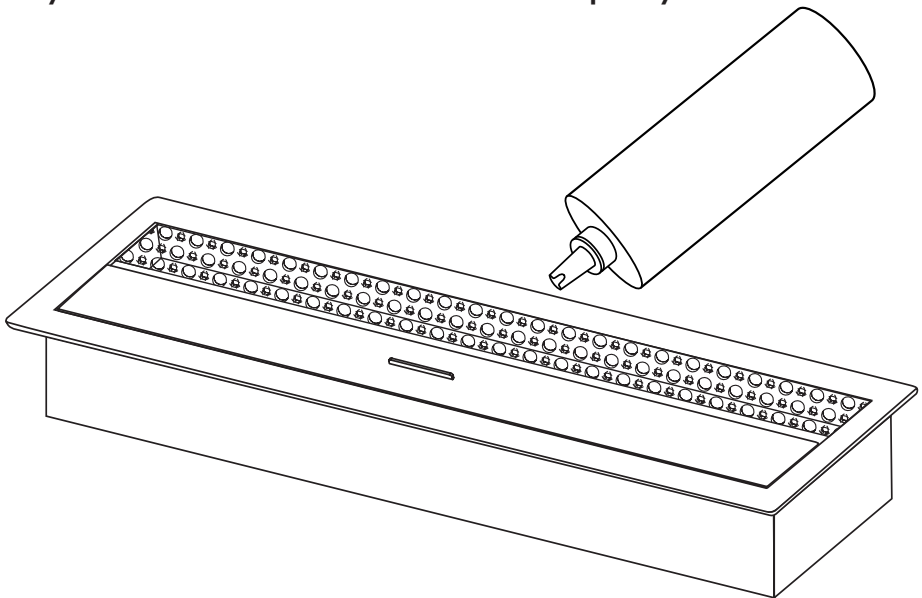
See assembly diagram on the next page.

Assembly Diagram



Filling the Burner

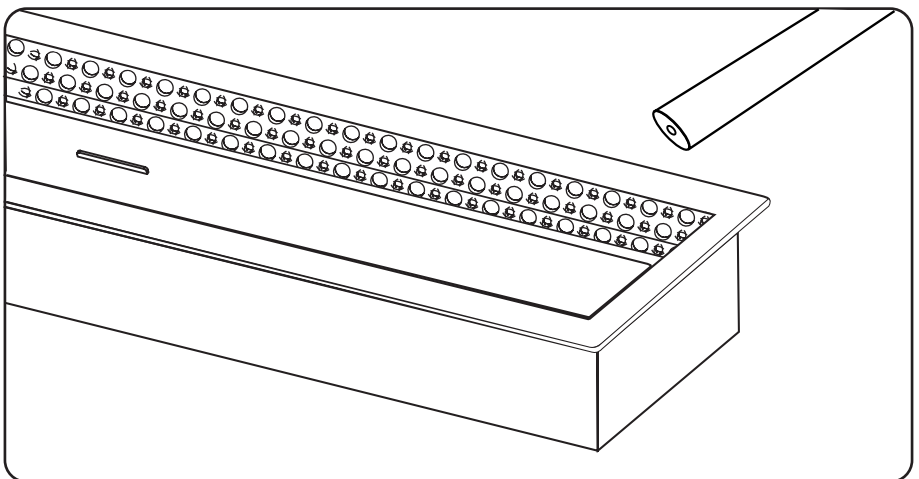
- For greater control, attach the optional slow pour spout to the alcohol bottle. The spout should only be attached during filling. When filling is complete, the original cap should be put back on to prevent spilling.
- Slowly tip until fuel is pouring from bottle.
- Do not spill the alcohol. If alcohol is spilled, wipe the affected area dry immediately. Once you have dried the area, use a wet cloth to clean the affected area. This will prevent the spilled alcohol from burning accidentally.
- Spilled alcohol can damage some surfaces like wood, paint and leather. By following the above instructions you are minimizing the possibility of damage.
- Do not over fill the burner. As you pour the fuel, it will be absorbed through the baffle. When no more fuel is being absorbed, it will begin to pool in the filling reservoir. At this point, you know the burner is full. Full capacity of the burner is 112 oz (3312 ml). The burner does not need to be filled to the top for proper use, but you will get the best results when full.
- **Fill your burner completely the first time you use it. This will prime your burner to ensure the best flame quality.**



Lighting the Burner

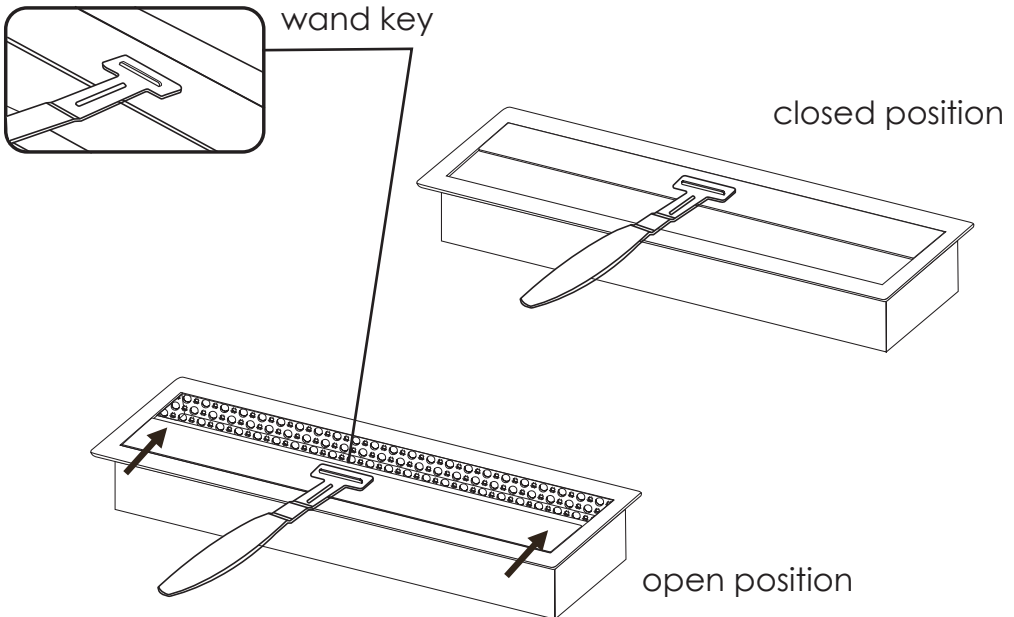
- The burner is ready to light once it has been filled with alcohol.
- Place the cover plate in the open position. *You do not need to open the cover plate the entire way. Burning at half open will improve fuel efficiency.
- Use a long lighter to light the burner, lighting the fuel reservoir. The lighter should be at least 8 inches long.
- Please note: If you are using the long lighter provided with your burner, you will need to add butane, as lighters are shipped without fuel.
- Never position your hand over the fuel reservoir, and do not stand over the burner while lighting. Always light burner from the side and never have body parts over the burner.
- Never blow air directly into the flame at any point of the burning process, this is a burn hazard.
- Never add alcohol to an open flame, this is an explosion hazard. Always make sure the fire has been completely extinguished for 15 minutes before adding more fuel.

Even if it looks as though the fire has gone out, there may be slight flames or sparks, which could ignite upon refueling. Make sure to snuff your burner for at least 5 minutes to ensure the flame is extinguished.



Extinguishing the Burner

- Never try to extinguish the flame using water. This is an explosion hazard.
- Allow the burner to cool for at least 30 minutes before touching with bare hands.
- To extinguish the fire, Use the wand tool to move the cover into the closed position. Make sure to keep cover in place for at least 5 minutes to ensure flame has been completely extinguished.
- The wand tool key is the rectangular post that is sticking up from the cover.
- Only use the wand tool to open and close the cover. Cover will be very hot during use and will burn the user if touched.
- If the flame does not extinguish completely when the cover is pushed into the closed position, then move the cover back to the open position and then to the closed position again in two more rapid motions.
- The cover will expand during prolonged burning, so slide cover plate with caution. If the cover gets stuck, give the edge of the burner a firm, but gentle tap with the wand tool. Take care not to tap too hard, causing damage to the burner.
- If there is alcohol remaining in the burner, leave the snuffer tool in place to keep fuel from evaporating.



Maintenance and Care

- The burner heats up during operation. After the fire has been extinguished the burner will still be hot. Please allow the burner and cover to cool for at least 30 minutes before touching with bare hands.
- Only clean the surface of the product after it has fully cooled down.
- Do not use abrasive cleaners, scrubbing powder or similar cleaners on the burner, as they can cause damage.
- To avoid spilling, make sure there is no alcohol left in the burner before cleaning.
- To clean, use a wet clean cloth. Use only water and a mild dish detergent, if needed, or wipe with alcohol to remove tough tarnish stains. You can also use the polish pad, rubbing with the grain of the metal, to remove tarnish stains.
- Before reusing the burner, make sure that all parts have been put back in the correct place.
- You may notice black soot on the burner or cover plate after the first use. This is due to natural minerals in the new metal coming to the surface upon heating for the first time. Clean this using alcohol and a clean cloth.

Further Safety Instructions

- If alcohol is spilled on the burner, wipe it up immediately using a soft, absorbent cloth. Wash the cloth out afterwards with clean water.
- Allow the burner to cool for at least 15 minutes before refueling.
- Never put alcohol into an open fire. Explosion hazard.
- Never try to extinguish the flame with water. Explosion hazard.
- For safety reasons, this burner can only use denatured alcohol.
- Do not use the product if it shows visible damage. If you see damage caused by shipping please contact your dealer.
- Repairs to the burner can only be done by your dealer.
- Do not move the burner while it is burning.

Storage and Handling of Alcohol

- Alcohol will be delivered in plastic bottles if supplied by brasa. They are marked with applicable regulations. Follow these regulations regarding transportation and storage. Regulations can differ depending on local laws.
- Do not eat, drink or smoke during the filling process.
- Always store alcohol in its designated container. Keep closed at all times when not in use. Always store alcohol in a dry and cool place, out of direct sunlight and away from heat sources and open fire.
- Always store alcohol out of reach of children and in a location that is childproof to prevent any unauthorized access.
- Only use alcohol as directed for ventless fireplaces designed to burn alcohol.
- Never pour fuel into an open flame. Check carefully that the flame is fully extinguished before refueling.
- Please read Manufacturers Safety Data Sheet (MSDS) included with the alcohol prior to using product.
- Alcohol is extremely flammable, both the liquid and vapor. Keep away from spark and open flames. Improper exposure can result in injury or death.
- Keep alcohol tightly closed in a cool dry place.
- Use only in well ventilated areas.
- If swallowed, seek medical attention immediately and show contents of the container.
- For contact with eyes, flush immediately with cool water for 15 minutes and seek medical attention.
- For contact with skin, rinse area well with cool water. If irritation occurs, consult a physician.

Brasa Fuel First Aid Emergency Number
24/7 : 1-800-424-9300

Burn Time

The burner for the XL burner can hold up to 112 oz (3312 ml) of fuel when completely full. You will know that the burner is full when no more fuel is being absorbed through the baffle and it begins to pool in the filling reservoir. The burner does not need to be filled completely for proper use, however you will get the best results when full.

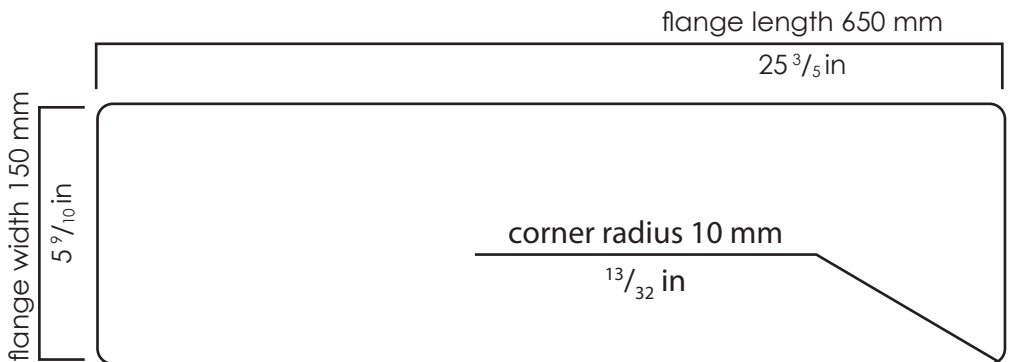
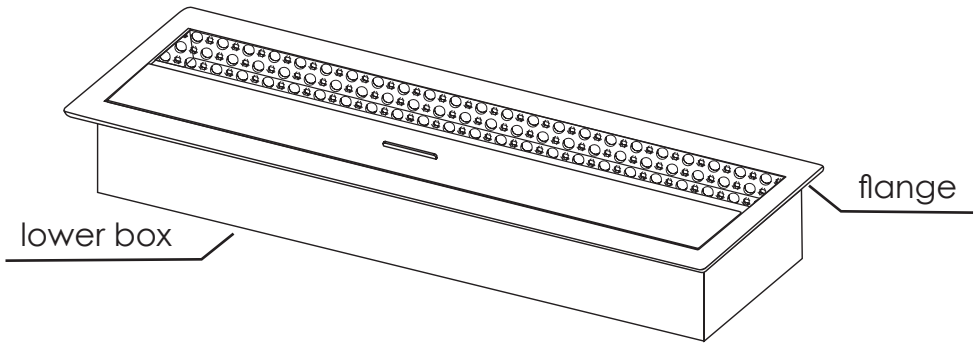
You can expect to get about 4 hours of burn time from a burner that has been filled to maximum capacity.

Your XL burner provides approximately 17,000 BTU thermal output. This heating effect will raise the temperature of a room by a cozy 10-13 degrees, depending on size of the room, and draft conditions.

Custom Cut Out Information

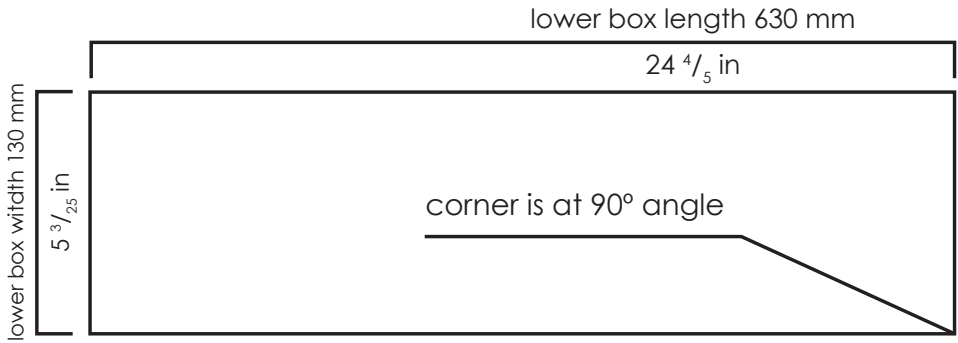
This information is for customers that are installing an XL burner insert into a custom setting. The following is the size and cut out information for the XL burner. The burner can be put into place with the flange sitting on top of the custom built surface or the flange can be recessed into the custom area; performance will not be effected either way.

If you are installing your burner with the flange recessed, be sure not to cut all the way through your support material, the flange needs something to sit on. Both cut out sizes are included in this manual.

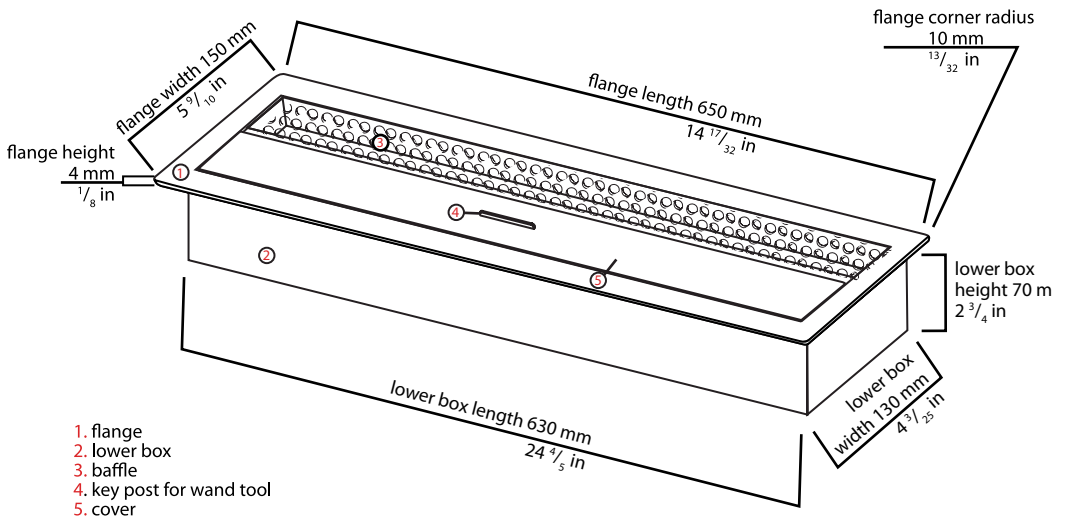


Custom Cut Out Information

Lower box cut out information:

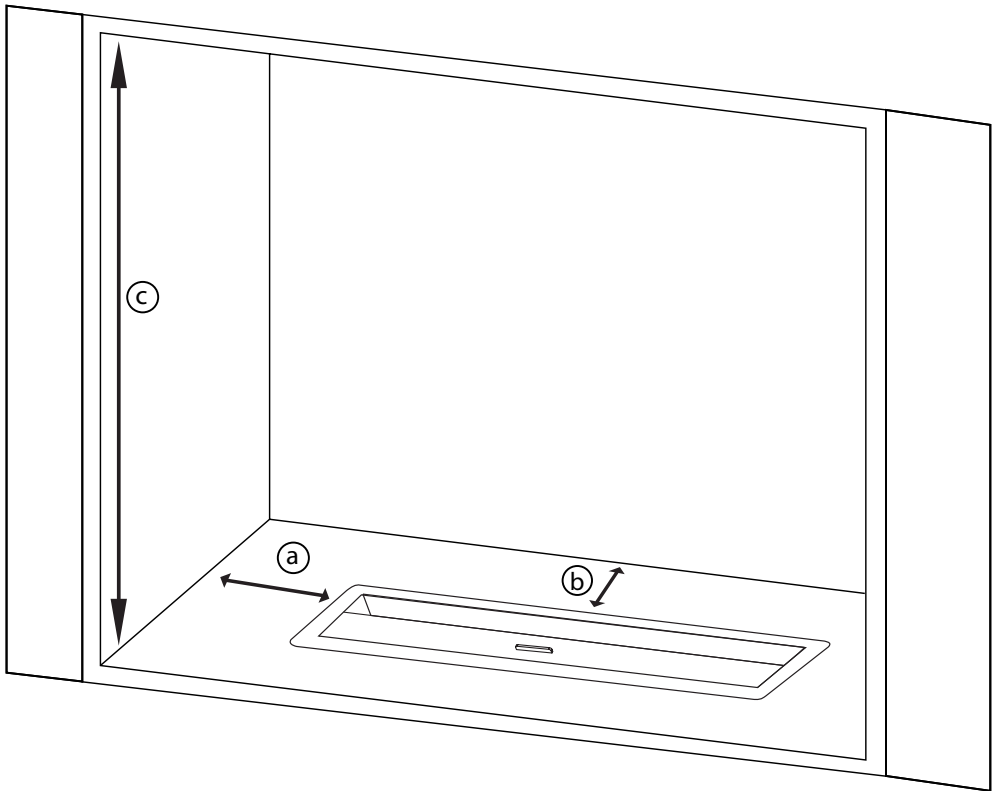


Overall size info:



Custom Cut Out Information

Recommended measurements for custom hearth:



if your material is ceramic/stone or metal, use these measurements:

- a: at least 6 in or 15 cm from edge of burner to edge of interior wall
- b: at least 4 in or 10 cm from back edge of flange to edge of back interior wall
- c: at least 20 in or 50 cm total interior height of hearth

for all other types of non-flammable materials, use these measurements:

- a: at least 8 in or 20 cm from edge of burner to edge of interior wall
- b: at least 10 in or 25 cm from back edge of flange to edge of back interior wall
- c: at least 24 in or 61 cm total interior height of hearth