



# Instruction Manual

## Wide Burner Insert

307 Tchoupitoulas Street, Suite 100 • New Orleans, LA 70130  
p : 888.596.6960 | 504.596.6960 • f: 504.529.3496

[www.brasafire.com](http://www.brasafire.com)





Please read this entire instruction manual before operating your new brasa burner. By doing so you will learn how to correctly operate your new burner. Please keep this instruction manual and do not throw it away. This instruction manual should be read by all users of the burner. Failure to do so could result in property or bodily damages.

## Basic Safety Instructions

Please consider that an open fire is always a potential hazard.

- A burner that is in use should never be left unattended.
- Keep children and pets away from a burner that is in operation.
- The burner is not a toy.
- The burner should always be placed on a flat, horizontal surface.
- Only adults should operate the burner.
- Always read and follow the instructions that are printed on the alcohol bottle.
- Only use denatured alcohol as fuel. Denatured alcohol is also known as bio-ethanol, ethyl alcohol, or methylated spirits. **No other fuel can be used for this kind of burner.** Failure to do so could result in a uncontrollable fire.
- Always place the burner at a safe distance from flammable materials, at least 3 feet in each direction. Do not place on or near carpets or rugs.
- Never place any objects on top or inside of the burner.
- The burner gets hot during use. Never touch the burner while it is in use. Wait at least one hour after the fire has been extinguished before touching with bare hands.
- Never try to add fuel to the burner while it is burning, this could cause severe damage. Wait at least one hour after the fire has been extinguished before refueling.
- For lighting the burner, please follow the instructions found later in this manual.
- For extinguishing the burner, please follow the instructions found later in this manual.



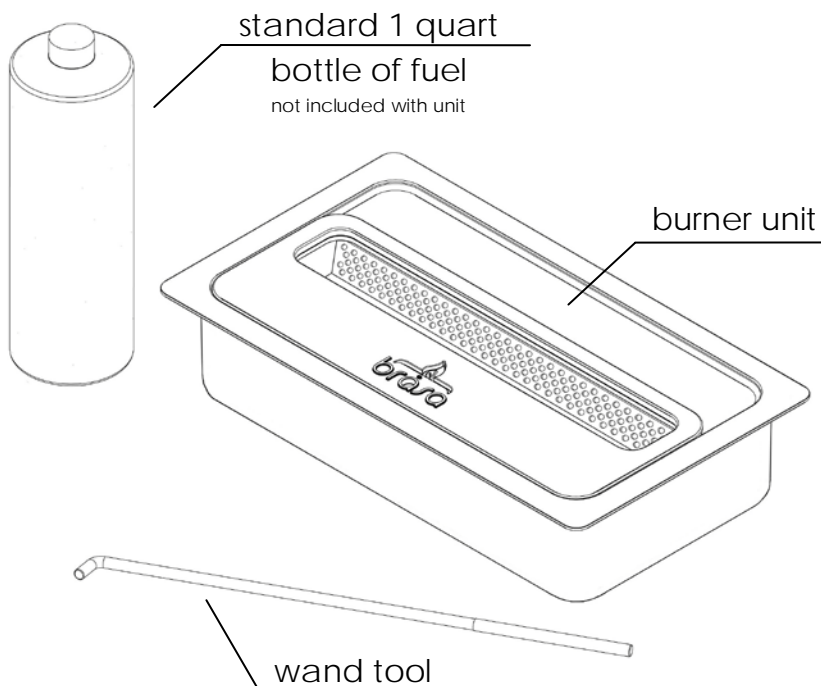
## First Steps

---

Before using your new wide burner insert for the first time please be sure to follow these steps:

- Please be sure to remove all packaging material and any stickers or labels.
- Check the contents of the package for damage to the unit, and to make sure all parts of the unit have been included.
- Please contact your dealer if there are any damaged or missing parts.
- Please keep all packing materials away from children, as it could be a choking or suffocation hazard if used improperly.

### Item Identification





## First Steps

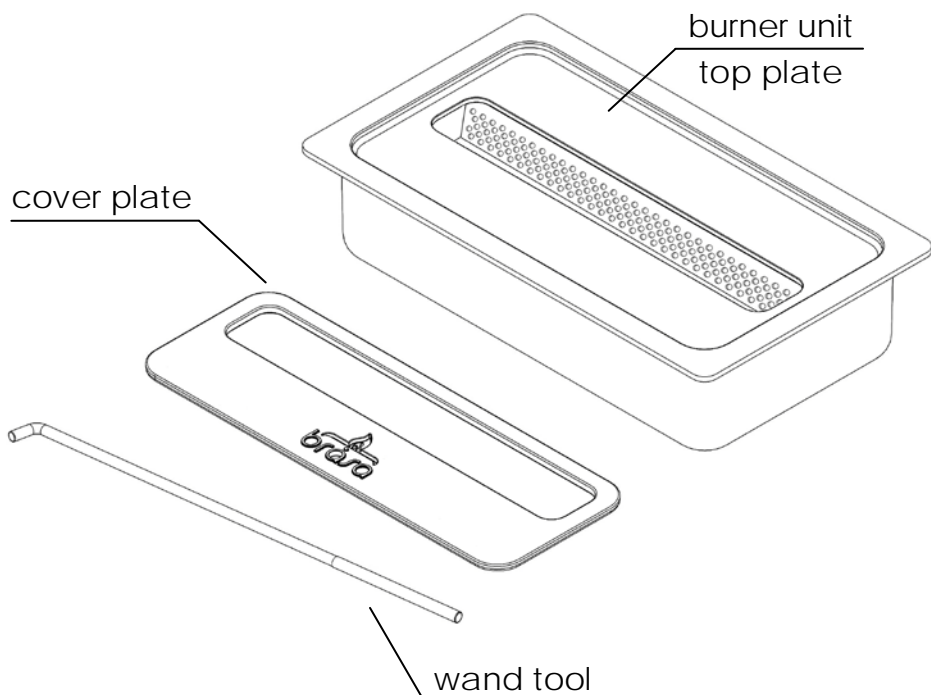
---

In the wide burner package you will find the burner unit, top plate, wand tool and long lighter with tool tip.

Once you have unpacked your new burner please check to make sure that you have all of the pieces needed and that none are damaged. If parts are missing or damaged, please contact your dealer for replacements.

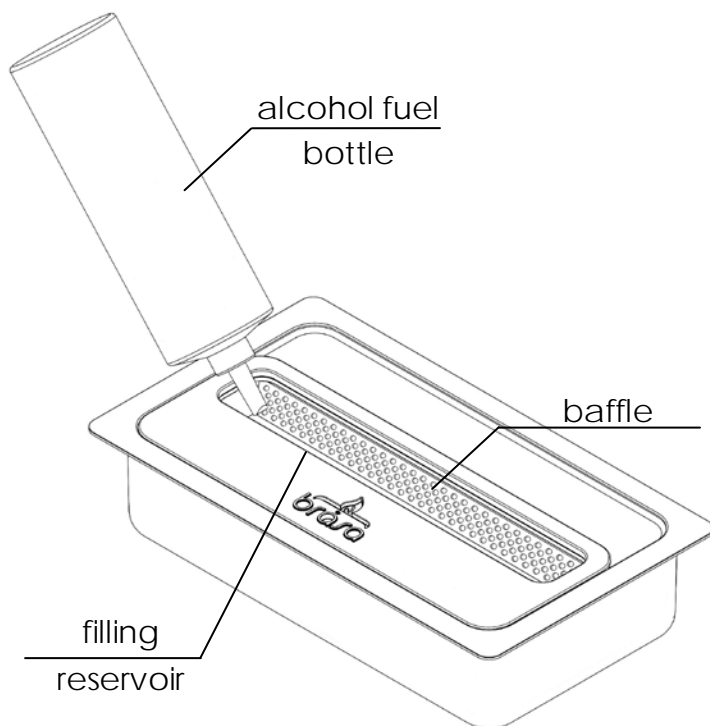
To assemble, place the cover plate in the recess on the burner unit top plate with the brasa logo facing up.

Once this is done the burner needs to be set in place. This can be in a brasa housing or a custom built-in surround. The burner is now ready for use.



### Filling the alcohol

- Remove cap of fuel bottle and slowly tip until fuel is pouring from bottle.
- Do not spill the alcohol.
- If alcohol is spilled, wipe the affected area dry immediately. Once you have dried the area, use a wet cloth to clean the affected area. This will prevent the spilled alcohol from burning accidentally.
- Spilled alcohol can damage some surfaces like wood, paint and leather. By following the above instructions you are minimizing the possibility of damage.
- Do not over fill the burner. As you pour the fuel, it will be absorbed through the baffle. When no more fuel is being absorbed, it will begin to pool in the filling reservoir. At this point, you know the burner is full. Full capacity of the burner is 2 1/2 quarts.
- The burner does not need to be filled to the top for proper use.



### Lighting the burner

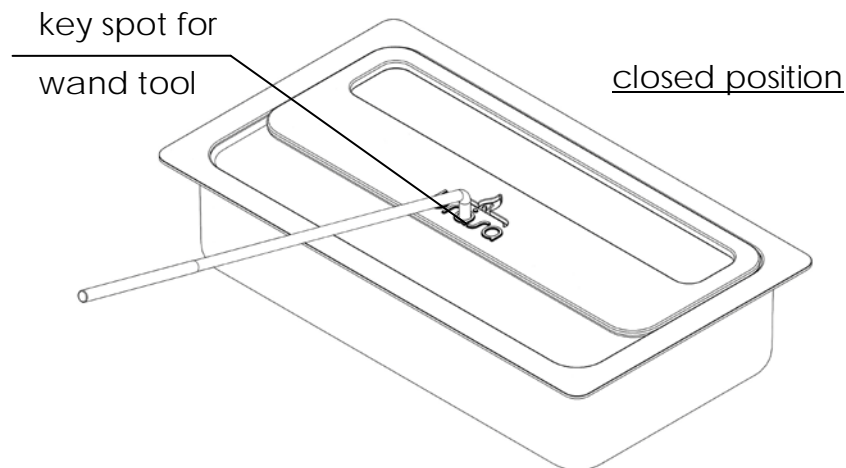
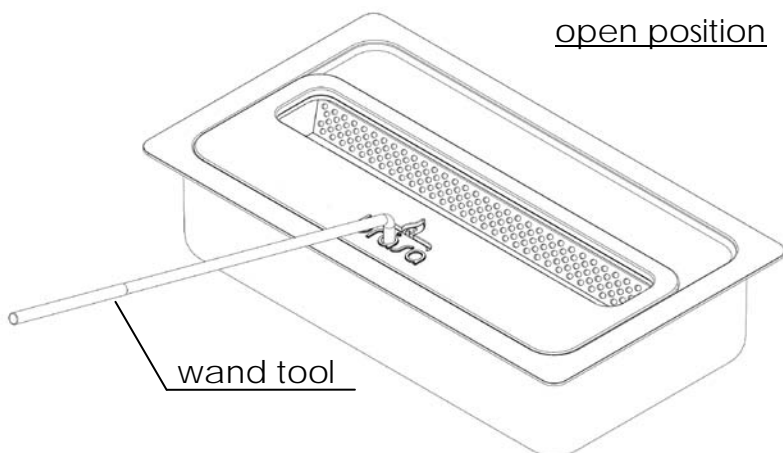
- Once the burner has been fueled it is ready to be lighted.
- Have the burner's cover in the open position.
- Use a long lighter to light the burner, lighting the alcohol that is in the fuel reservoir.
- The lighter should be at least 8 inches long.
- Never position your hand over the fuel reservoir, and do not stand over the burner while lighting, always light burner from the side and never have any body parts over the opening of the burner.
- Never blow air directly into the flame at any point of the burning process, this is a burn hazard.
- Never add alcohol to an open flame, this is an explosion hazard, always make sure the fire has been completely extinguished for 15 minutes before adding more fuel.

### Extinguishing the burner

- Never try to extinguish the flame using water. This is an explosion hazard.
- Please allow the burner and cover to cool for at least an hour before touching with bare hands.
- To extinguish the fire use the wand tool or long lighter with wand tip to move the cover to the closed position.
- The wand tool key is the circular opening inside the "a" of the brasa logo.
- When the burner is not in use it should always be in the closed position.
- Please see images on the next page for picture instructions.
- Only use the wand tool or long lighter with wand tip to open and close the cover. Cover will be very hot during use and will burn the user if touched.
- After periods of prolonged operation of the burner with the cover remaining in the fully open position, heat may cause the cover to offer some resistance when using the wand tool to slide it closed. If this resistance prevents the cover from sliding, simply tap the top of the cover with the tip of the wand tool. The cover can then be closed using the wand tool as per normal operation.

### Extinguishing the burner

- If the flame does not extinguish completely when the cover is pushed into the closed position, then move the cover back to the open position and then to the closed position again in two more rapid motions. If small remnants of flame are still visible around edge of cover, use the provided snuffing plate accessory to cover the top plate and fully extinguish the fire. See additional instructions for the snuffing plate at the end of this instruction manual.



- The burner heats up during operation. After the fire has been extinguished the burner will still be hot. Please allow the burner and cover to cool for at least an hour before touching with bare hands.
- Only clean the surface of the product after it has fully cooled down.
- Do not use abrasive cleaners, scrubbing powder or similar cleaners to clean the burner, as they can cause damage.
- To clean, use a wet clean cloth. Use only water and a mild dish detergent, if needed, or wipe with alcohol to remove tough tarnish stains.
- To avoid spilling, make sure there is no alcohol left in the burner before cleaning.
- Before reusing the burner, make sure that all parts have been put back in the correct place.

## Further Safety Instructions

---

- If alcohol is spilled on the burner, wipe it up immediately using a soft and absorbent cloth. Wash the cloth out afterwards with clean water.
- The burner must cool down at least 15 minutes before the flame can be lit again or before it can be refueled.
- Never put alcohol into an open fire. Explosion hazard.
- Never try to extinguish the flame with water. Explosion hazard.
- For safety reasons, this burner can only use alcohol.
- Do not use the product if it shows visible damage. If you see damage caused by shipping please contact your dealer.
- Repairs to the burner can only be done by your dealer.
- Do not move the burner while it is burning.



## Storage and Handling of Alcohol

---

Alcohol will be delivered in plastic bottles if supplied by brasa. They are marked with applicable regulations. Follow these regulations regarding transportation and storage. Regulations can differ depending on local laws.

- Do not eat, drink or smoke during the filling process.
- Always store alcohol in its designated canister, which must be closed at all times.
- Always store alcohol in a dry and cool place, out of direct contact to sunlight and away from heat sources and open fire.
- Always store alcohol out of reach of children and in a location that is childproof to prevent an unauthorized access.
- Only use alcohol as directed for ventless fireplaces designed to burn alcohol.
- Never pour fuel into an open flame. Check carefully that the flame is fully extinguished before refueling.
- Please read Manufacturers Safety Data Sheet (MSDS) included with the alcohol prior to using product.
- Alcohol is extremely flammable, both the liquid and vapor. Keep away from spark and open flames. Improper exposure can result in injury or death.
- Keep alcohol tightly closed in a cool dry place.
- Use only in well ventilated areas.
- If swallowed, seek medical attention immediately and show contents of the container.
- For contact with eyes, flush immediately with cool water for 15 minutes and seek medical attention.
- For contact with skin, rinse area well with cool water. If irritation occurs, consult a physician.

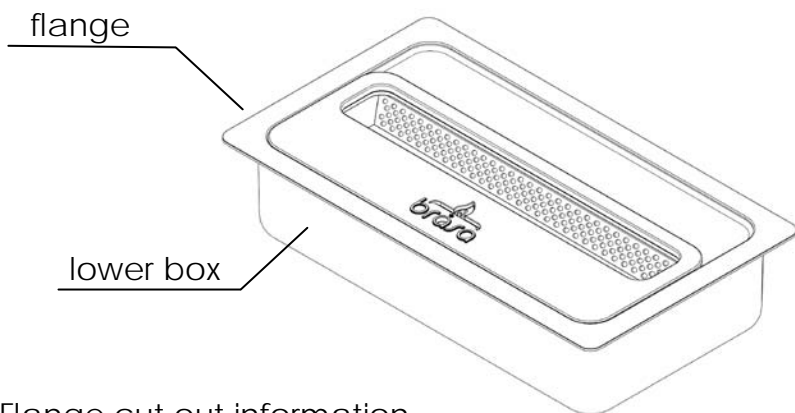
**First Aid Emergency Number 24/7 : 1-800-424-9300**



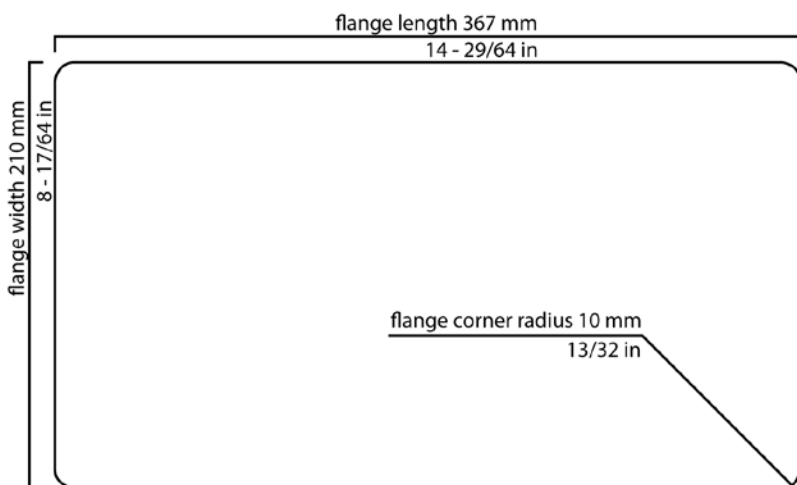
## Custom Cut Out Information

This information is for customers that are putting a wide burner insert in a custom setting. The following is the sizing and cut out information for the wide burner. The burner can be put into place with the flange sitting on top of the custom built-in surface or the flange can be recessed into the custom area; performance will not be affected either way.

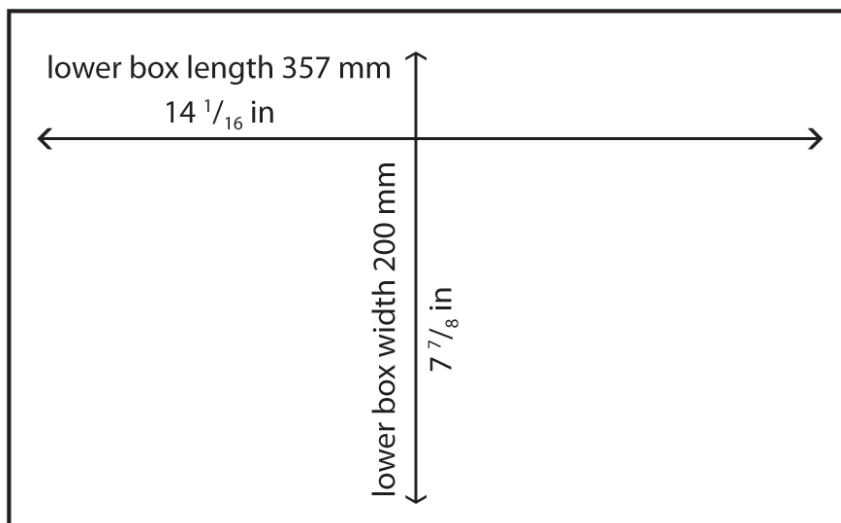
If you are installing your burner with the flange recessed, be sure not to cut all the way through your support material; the flange needs something to sit on. Both cut out sizes are included in this manual.



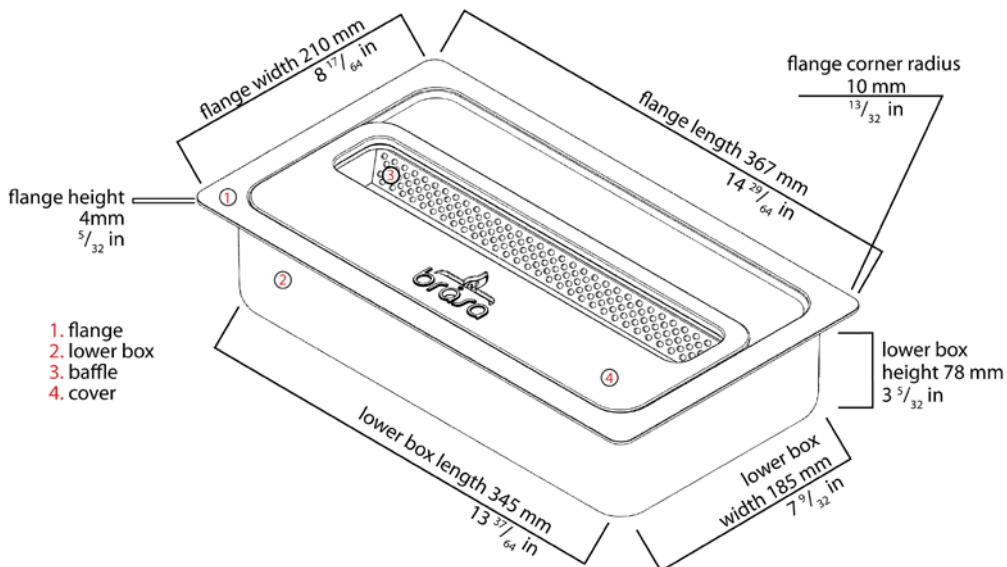
### Flange cut out information



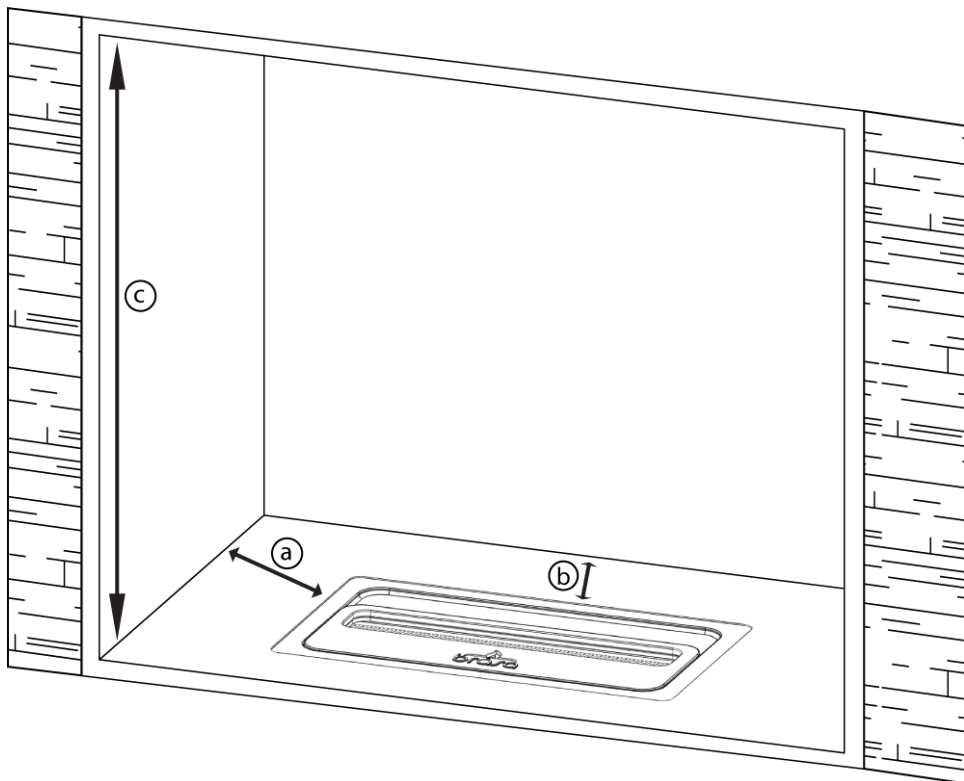
## Lower box cut out information



## Overall size information



### Recommended measurements of custom hearth



if your material is ceramic/stone or metal, use these measurements:

- a: at least 6 in or 15 cm from edge of burner to edge of interior wall
- b: at least 4 in or 10 cm from back edge of flange to edge of back interior wall
- c: at least 20 in or 50 cm total interior height of hearth

for all other types of non-flammable materials, use these measurements:

- a: at least 8 in or 20 cm from edge of burner to edge of interior wall
- b: at least 10 in or 25 cm from back edge of flange to edge of back interior wall
- c: at least 24 in or 61 cm total interior height of hearth



## Burn Time

---

The Brasa Wide Burner can hold up to 2 1/2 quarts of fuel when completely full. You will know that the burner is full when no more fuel is being absorbed through the baffle and it begins to pool in the filling reservoir. The burner does not need to be filled completely for proper use.

If the burner reservoir still contains fuel from previous filling, but has not been lit during the previous 24 hours, it is sometimes necessary to pour in an additional few ounces of fuel just to prime the burner for easier ignition.

You can expect to get about 245 minutes of burn time from a burner that has been filled at maximum capacity and is burning with the unit at the full open position. This is about 1.5 hours per quart of fuel.

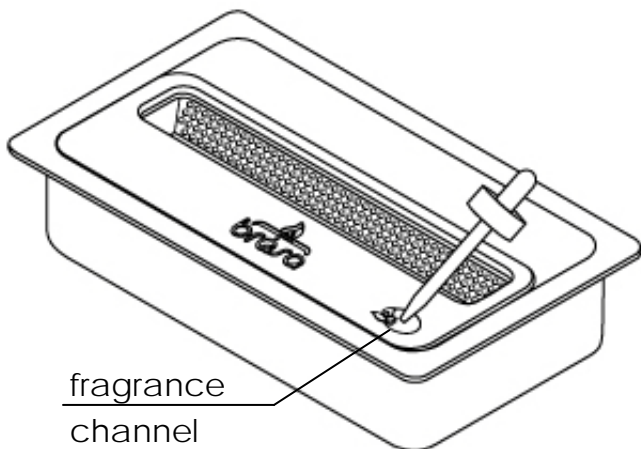
Fuel economy can be improved by reducing the flame size – which can be achieved by partially closing the burner's cover using the wand tool to slide the cover so that it is partially covering the fuel reservoir.

Your Brasa Wide Burner provides approximately 12,650 BTU thermal output.

## Fragrance

---

To use Brasa Scent home fragrance system, place a few drops of fragrance into the fragrance channel on your burner. **DO NOT PUT FRAGRANCE DIRECTLY INTO THE FUEL RESERVIOR.**



The snuffing plate is a convenience accessory item that can be used with any Brasa product that features a wide burner insert.

The snuffing plate is a flat, handled piece of metal that can be laid over the top of the burner's cover as needed. The burner's cover is designed to snuff the flame when moved to the closed position, without need for a snuffing plate. However, occasionally, in windy conditions, or in situations where the burner has been in operation for an extended period, you may find that the flame does not fully extinguish when closing the cover – and small amounts of flame might continue to be visible around the edges of the cover. In such instances, hold the snuffing plate by its handle and simply lay the snuffing plate over the entire burner opening area (where the burner's cover is located) and leave in place for a minimum of 10 seconds. This will enable the snuffing plate to prevent oxygen from reaching the residual flame, and the fire will be completely extinguished. It is not necessary to continue holding the handle of the snuffing plate after it has been laid on the burner.

As the snuffing plate may become hot, use care when removing it to return it to its storage place. It is recommended to wipe off any condensation that may have collected.

